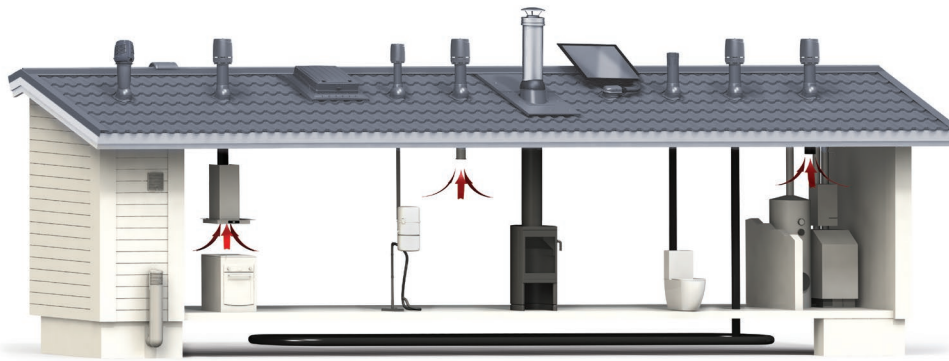









VILPE[®]
Innovative and Easy



ROOF FANS



	Reference colour
	Black RAL 9017
	Brown RAL 8017
	Green RAL 6020
	Grey RAL 7015
	Red RAL 3009
	Brick red RAL 8004
	Light grey RAL 7040

The VILPE product family includes a complete selection of roof elements and terminal equipment for ventilation. VILPE products form ensembles easy to assemble since all the installation tools and instructions are included in the sets. Uniquely long warranties only apply to ensembles with genuine VILPE products.

P-series for pitched roofs

The P-series roof fans and exhaust ventilation pipes can be led watertightly with a pass-through set through a roof. VILPE pass-through sets can be installed on any roofs with the most common pitches. The pass-through set is always selected according to the roofing material of the roof. All the roof fans and exhaust ventilation pipes in the P-series are compatible with all pass-through set types. Using P-series XL roof fans and XL exhaust ventilation pipes requires an XL pass-through.



S-series for flat surface installation

The S-series roof fans and exhaust vents are designed to be installed in the ventilation shaft, onto a silencer or in or other horizontal surface. Thus, they are also suitable for gently sloping roofs. The S-roof fans and S-exhaust vents are used, for example, in blocks of flats and terraced houses, when flat-specific ventilation is required. The S-series roof fan can also be used for modifying an old natural ventilation system into a mechanical one during renovation.



VILPE® - maximal roof pitches for P-series pass-throughs

Pass-through	Pipe XL Pass-through	Ø 110 mm	Ø 125 mm	Ø 160 mm	Ø 160 mm XL	Ø 200 mm XL	Ø 250 mm XL
Tile 2K / Tiili	XL Tile	40° / 48°	37° / 48°	32° / 37°	47°	45°	43°
Unitile 2K / Unitile	-	48° / 57°	46° / 57°	43° / 52°	-	-	-
Vittinge 1-w	-	45°	40°	30°	-	-	-
Vittinge 2-w	-	55°	50°	35°	-	-	-
Profiled steel 2K / Profiled steel	XL Universal MK1	43° / 50°	40° / 45°	36° / 40°	47°	47°	47°
Steel	XL Universal	45°	40°	27°	47°	47°	47°
Classic	XL Classic	55°	55°	48°	47°	47°	47°
Classic Vino 2K / Classic Vino	-	48°	46°	43°	-	-	-
HS Slate	-	59°	57°	52°	-	-	-
Felt	XL Felt	50°	50°	45°	47°	48°	45°
Felt Tall	XL Felt Tall	*	*	*	*	*	*
Decra	-	45°	45°	45°	-	-	-
Eternit B9	-	45°	45°	45°	-	-	-
Nera	-	57°	57°	50°	*	*	*
Evo 2K	-	39°	38°	30°	-	-	-
Aalto 2K	-	55°	50°	45°	-	-	-

P-series pass-throughs are for roofs with pitches of more than 1:5 (11.5°), unless stated otherwise.

On maximal roof pitches make sure that the roof structure does not prevent the installation.

* The Felt pass-through tall is designed for installation on roofs with a pitch of less than 1:5 (11.5°). For the steeper roofs the normal Felt pass-through suits better.

Note! The roof pitches in the table are suggestive values. In extreme situations, the height of the roofing profile or the in-stallation point of the underlay seals affects the values.

VILPE® ECo110 FLOW Roof fans

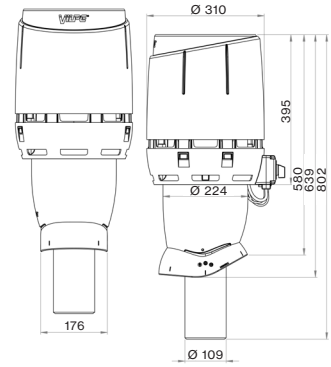
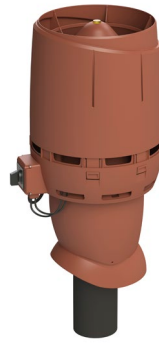
Colour Product No.

VILPE® ECO110P/500 FLOW ROOF FAN

Description: Energy efficient insulated roof fan with the new FLOW-cowl. Uses a EC motor for radon ventilation with a 0-10V control voltage. Has an integrated service switch. Also suitable for ventilating an ecological toilet. The motor is specially protected. A VILPE® ECo controllers and a VILPE® pass-through according to the roofing material is required separately.

Contents: Roof fan, screws, installation, operating and maintenance instructions.

- Black 350272
- Grey 350277
- Red 350278
- Brick red 350279
- Light grey 350271

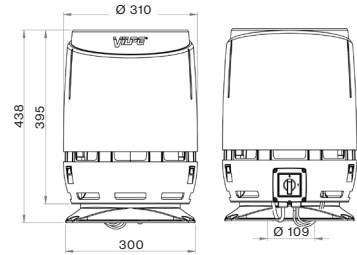


VILPE® ECO110S FLOW ROOF FAN + INSTALLATION SET 300X300

Description: Energy efficient insulated roof fan with the new FLOW-cowl. Uses a EC motor for radon ventilation with a 0-10V control voltage. Has an integrated service switch. Also suitable for ventilating an ecological toilet. The motor is specially protected. An installation set for a flat surface is included. VILPE® ECo Controller is available separately.

Contents: Roof fan, installation set, screws, installation, operating and maintenance instructions.

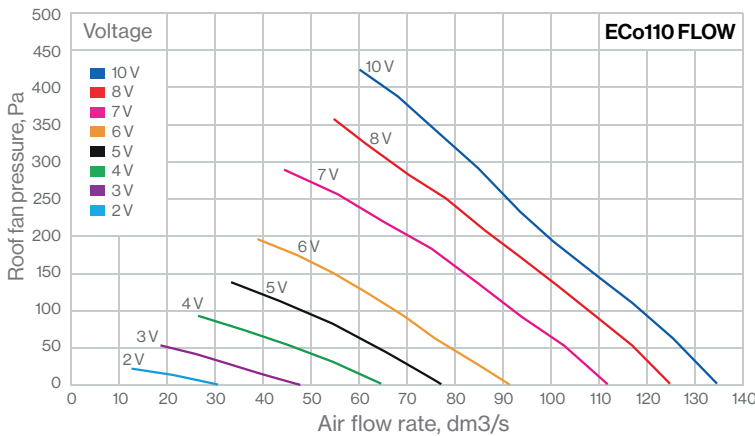
- Black 350282
- Grey 350287
- Red 350288
- Brick red 350289
- Light grey 350281



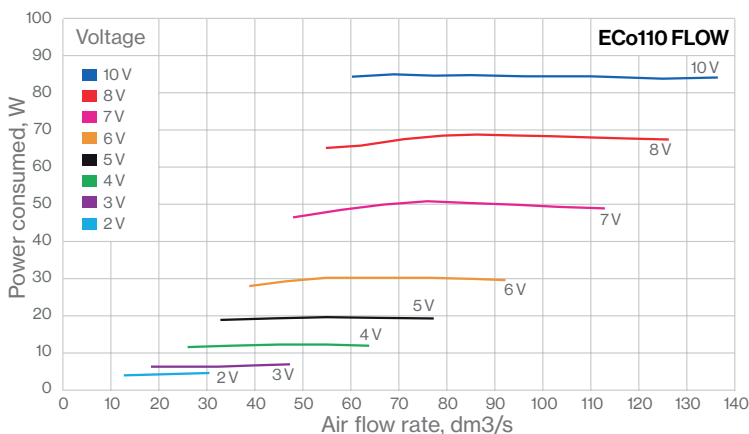
ELECTRICAL DETAILS

Fan type	ECo110 FLOW
Power Input	83 W
Current	0.75 A
Nominal Voltage	230 V / 50 Hz
Speed	3200 r/min
Speed Controller	0-10 V

Air density 1.20 kg/m³



Luftdensitet 1,20 kg/m³



U	V	2	3	4	5	6	7	8	10
qv	dm ³ /s	21.2	32.7	45.4	54.8	69.7	84.8	93.8	101
pF	Pa	17.2	30.4	57.0	83.1	96.0	137	173	196
Pe	W	4.7	7.2	13.0	19.9	30.3	50.1	68.4	84.2
N	1/min	792	1128	1553	1874	2206	2653	2947	3157

Duct

Duct	dB	*	*	*	*	*	75.3	*	*
LW63	dB	*	*	*	*	*	75.3	*	*
LW125	dB	*	67.5	75.2	76.6	80.1	82.1	84.2	85.2
LW250	dB	51.9	60.8	74.5	72.0	77.1	80.7	82.5	83.5
LW500	dB	*	51.8	61.1	64.7	69.3	74.5	77.4	79.3
LW1000	dB	*	44.8	52.5	57.1	61.8	67.2	70.1	73.0
LW2000	dB	*	*	41.8	47.0	51.6	56.5	59.2	61.0
LW4000	dB	*	*	33.3	39.8	45.9	51.6	54.7	56.7
LW8000	dB	*	*	*	*	35.8	42.8	46.3	48.4
LW	dB	*	*	78.5	79.2	82.7	85.4	87.4	88.5
LWA	dB(A)	*	55.7	66.3	67.0	71.6	75.9	78.2	79.8

Environment

LW63	dB	*	47.2	51.3	55.0	56.3	57.6	58.1	58.9
LW125	dB	*	45.3	52.0	55.3	58.4	61.5	63.1	64.5
LW250	dB	41.5	50.4	58.5	62.7	68.5	76.4	73.3	74.5
LW500	dB	*	48.8	56.3	62.6	65.7	70.8	73.7	76.6
LW1000	dB	*	44.9	52.6	57.9	62.7	67.5	70.5	72.7
LW2000	dB	*	42.8	52.4	58.4	63.6	68.5	71.4	73.4
LW4000	dB	*	*	43.8	51.0	56.8	62.3	65.5	67.8
LW8000	dB	*	*	*	40.0	46.9	53.6	57.4	60.0
LW	dB	*	55.1	62.6	67.6	72.2	78.6	78.8	81.0
LWA	dB(A)	*	50.4	58.7	64.5	69.2	75.0	76.9	79.0

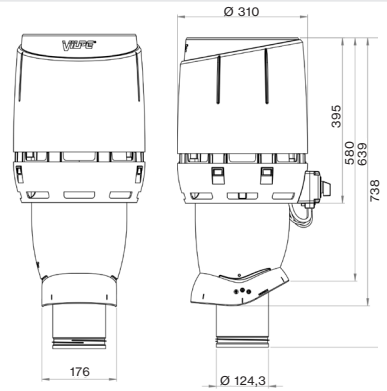
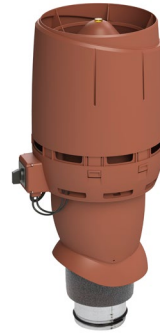
VILPE® ECo125 FLOW Roof fans

Colour Product No.

VILPE® ECO125P/500 FLOW ROOF FAN

Description: Energy efficient insulated roof fan with the FLOW-cowl. Uses a DC motor with a 0-10V control voltage. Includes a galvanized steel inner pipe with a lip seal and a built-in silencer. A VILPE® ECo controllers and a VILPE® pass-through chosen according to roof type and material sold separately.
Contents: Roof fan, screws, installation, operating and maintenance instructions.

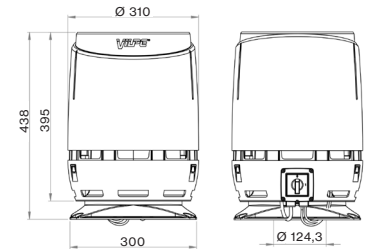
- Black 350242
- Grey 350247
- Red 350248
- Brick red 350249
- Light grey 350241



VILPE® ECO125S FLOW ROOF FAN + INSTALLATION SET 300X300

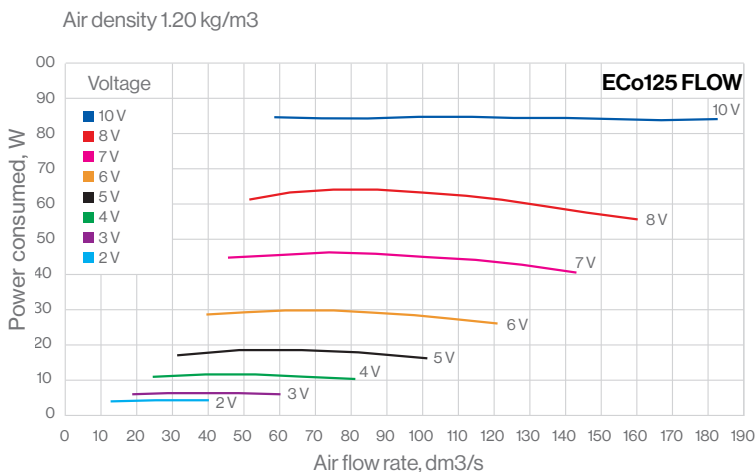
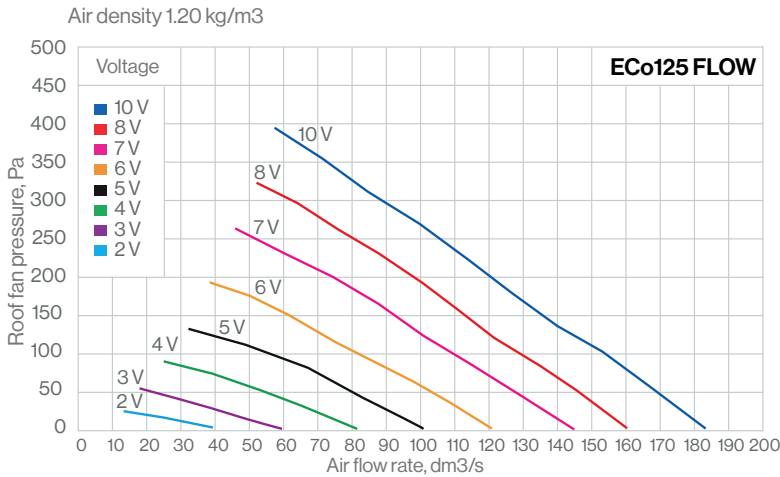
Description: Energy efficient roof fan with the new Flow-cowl and a DC motor for the top of an air conduit or silencer, controlled with a 0-10 V voltage. An installation set for a flat surface is included. VILPE® ECo Controller is available separately.
Contents: Roof fan, installation set, screws, Installation, operating and maintenance instructions.

- Black 350202
- Grey 350207
- Red 350208
- Brick red 350209
- Light grey 350201



ELECTRICAL DETAILS

Fan type	ECo125 FLOW
Power Input	83 W
Current	0.75 A
Nominal Voltage	230 V / 50 Hz
Speed	3200 r/min
Speed Controller	0-10 V



U	V	2	3	4	5	6	7	8	10
qv	dm ³ /s	25.9	38.9	53.0	66.2	86.0	102	112	126
pF	Pa	17.6	32.3	54.2	80.6	94.5	126	159	188
Pe	W	4.1	6.5	11.4	18.8	29.3	45.0	62.0	84.8
N	1/min	766	1088	1446	1786	2129	2488	2770	3069

Duct		2	3	4	5	6	7	8	10
LW63	dB	*	*	*	*	*	77.5	71.7	78.3
LW125	dB	*	55.4	60.1	64.0	68.2	70.7	71.5	72.8
LW250	dB	*	47.5	53.3	59.3	62.2	65.8	67.6	70.0
LW500	dB	*	*	42.5	47.0	50.6	53.9	56.4	58.8
LW1000	dB	*	*	30.0	33.8	38.2	41.6	44.1	46.7
LW2000	dB	*	*	*	*	30.6	34.6	37.4	40.4
LW4000	dB	*	*	*	*	*	32.4	36.3	40.1
LW8000	dB	*	*	*	*	*	32.0	35.8	39.5
LW	dB	*	*	*	*	71.2	78.5	75.5	79.9
LWA	dB(A)	*	*	48.0	52.5	56.1	59.7	61.1	63.2

Environment		2	3	4	5	6	7	8	10
LW63	dB	*	*	44.7	47.6	50.4	52.3	54.7	56.3
LW125	dB	38.2	43.9	48.9	52.8	56.8	57.6	60.6	61.6
LW250	dB	35.0	42.7	49.0	53.4	58.2	61.3	64.2	66.4
LW500	dB	44.8	48.3	54.4	58.9	62.7	65.6	68.7	70.8
LW1000	dB	43.8	49.7	54.0	57.5	61.4	64.6	67.5	69.8
LW2000	dB	*	41.8	52.7	59.4	64.4	67.1	69.4	71.1
LW4000	dB	*	*	39.4	47.5	54.1	59.2	64.3	67.0
LW8000	dB	*	*	*	37.8	45.5	52.4	56.9	60.5
LW	dB	*	53.7	59.6	64.4	68.8	71.7	74.6	76.7
LWA	dB(A)	46.2	51.8	58.3	63.5	68.1	71.1	74.0	76.1

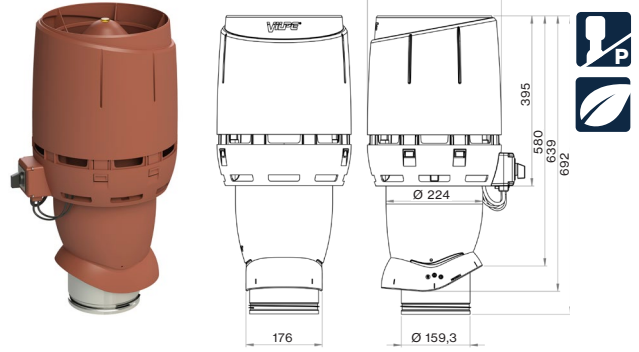
VILPE® ECo160 FLOW Roof fans

Colour Product No.

VILPE® ECO160P/500 FLOW ROOF FAN

Description: Energy efficient insulated roof fan with the FLOW-cowl. Uses a DC motor with a 0-10V control voltage. Includes a galvanized steel inner pipe with a lip seal. A VILPE® ECo controllers and a VILPE® pass-through chosen according to roof type and material sold separately.
Contents: Roof fan, screws, installation, operating and maintenance instructions.

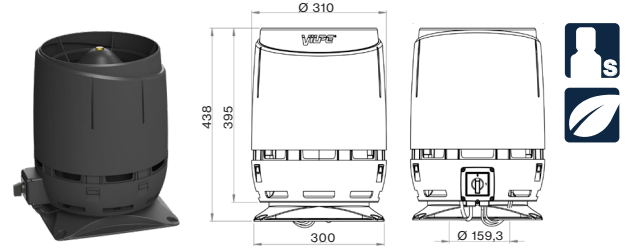
- Black 350252
- Grey 350257
- Red 350258
- Brick red 350259
- Light grey 350251



VILPE® ECO160S FLOW ROOF FAN + INSTALLATION SET 300X300

Description: Energy efficient roof fan with the new Flow-cowl and a DC motor for the top of an air conduit or silencer, controlled with a 0-10 V voltage. An installation set for a flat surface is included. VILPE® ECo Controller is available separately.
Contents: Roof fan, installation set, screws, Installation, operating and maintenance instructions.

- Black 350212
- Grey 350217
- Red 350218
- Brick red 350219
- Light grey 350211



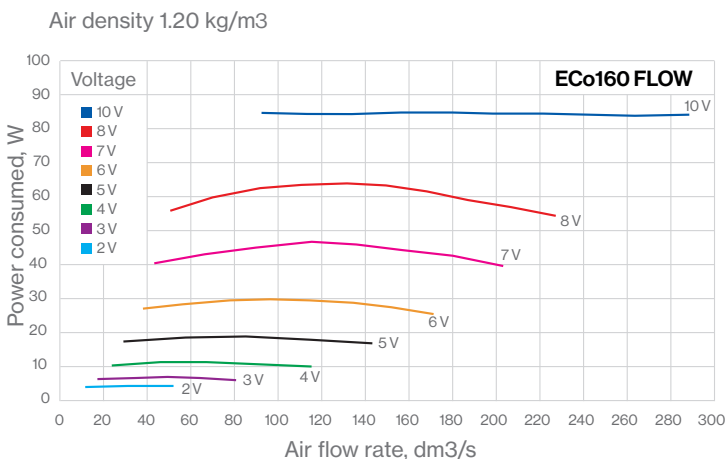
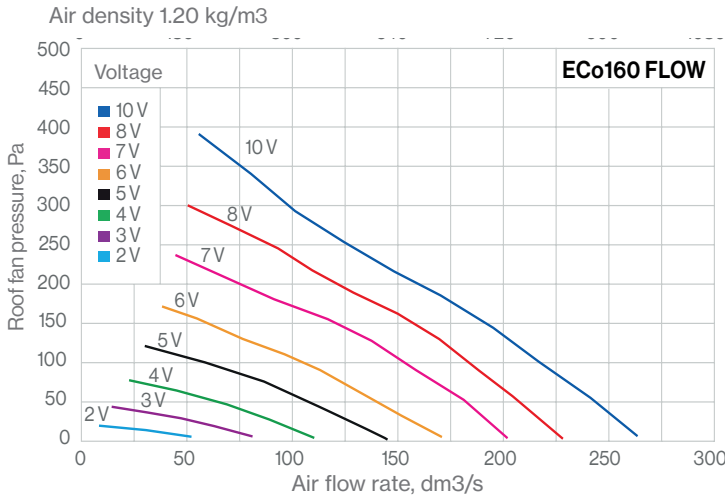
ELECTRICAL DETAILS

Fan type	ECo160 FLOW
Power Input	85 W
Current	0.7 A
Nominal Voltage	230 V / 50 Hz
Speed	2580 r/min
Speed Controller	0-10 V

U	V	2	3	4	5	6	7	8	10
qv	dm³/s	32.1	49.1	68.5	86.2	113	135	149	170
pF	Pa	15.8	31.0	49.2	77.5	94.5	130	164	182
Pe	W	4.1	6.8	11.4	19.2	29.7	46.3	63.8	82.6
N	1/min	616	879	1145	1430	1699	2000	2228	2431

Duct									
LW63	dB	*	*	*	64.0	65.2	68.1	69.7	71.6
LW125	dB	*	59.6	63.3	70.9	70.5	72.9	74.3	76.3
LW250	dB	*	50.8	57.7	62.6	66.4	70.0	72.4	72.9
LW500	dB	38.4	45.8	51.4	55.8	59.6	62.8	65.0	67.1
LW1000	dB	30.9	40.8	47.1	51.9	55.7	59.2	61.4	63.2
LW2000	dB	*	30.4	39.5	46.3	51.5	55.0	57.5	59.7
LW4000	dB	*	*	*	38.0	44.0	49.4	52.9	55.8
LW8000	dB	*	*	*	*	37.2	44.1	48.4	51.4
LW	dB	*	62.6	*	72.4	73.1	75.9	77.7	79.3
LWA	dB(A)	*	48.6	54.1	60.3	62.5	66.0	68.3	70.1

Environment									
LW63	dB	*	*	*	*	48.9	51.9	54.2	54.6
LW125	dB	*	44.2	47.8	54.1	54.0	56.9	59.4	62.4
LW250	dB	*	43.9	50.4	54.4	57.9	61.7	64.5	65.9
LW500	dB	*	43.8	49.4	53.9	58.4	61.8	63.0	65.2
LW1000	dB	*	43.0	49.6	54.4	58.2	62.0	64.2	66.1
LW2000	dB	*	38.2	46.4	53.2	58.4	62.6	65.3	67.5
LW4000	dB	*	*	36.7	44.7	50.7	56.1	59.8	62.9
LW8000	dB	*	*	*	38.1	46.8	53.9	58.3	61.4
LW	dB	*	*	56.3	61.2	65.0	68.9	71.3	73.5
LWA	dB(A)	*	46.5	53.3	58.8	63.3	67.5	70.1	72.4



VILPE® ECo200 FLOW XL Roof fans

Colour

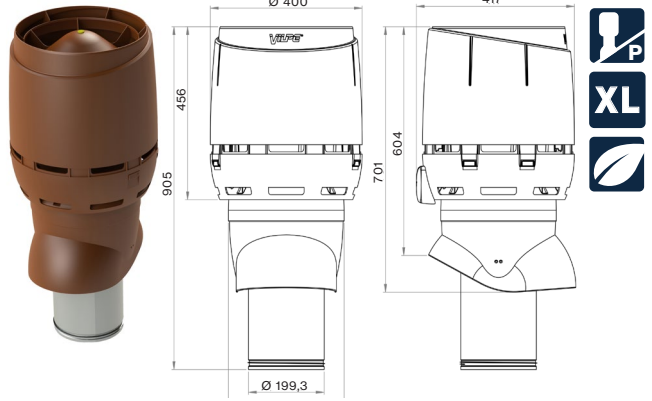
Product No.

VILPE® ECO200P/500 FLOW XL ROOF FAN

Description: Energy efficient insulated roof fan with the FLOW-cowl. Uses a DC motor with a 0-10V control voltage. Includes a galvanized steel inner pipe with a lip seal. A VILPE® ECo controllers and a VILPE® XL pass-through chosen according to roof type and material sold separately.

Contents: Roof fan, screws, Installation, operating and maintenance instructions.

- Black 350302
- Grey 350327
- Red 350328
- Brick red 350329

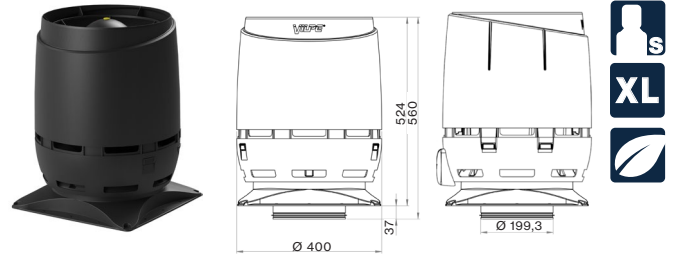


VILPE® ECO200S FLOW XL ROOF FAN + INSTALLATION SET 400X400

Description: Energy efficient insulated roof fan with the new Flow-cowl and a DC motor for the top of an air conduit or silencer, controlled with a 0-10 V voltage. If installed on a flat surface a separate installation set is required.

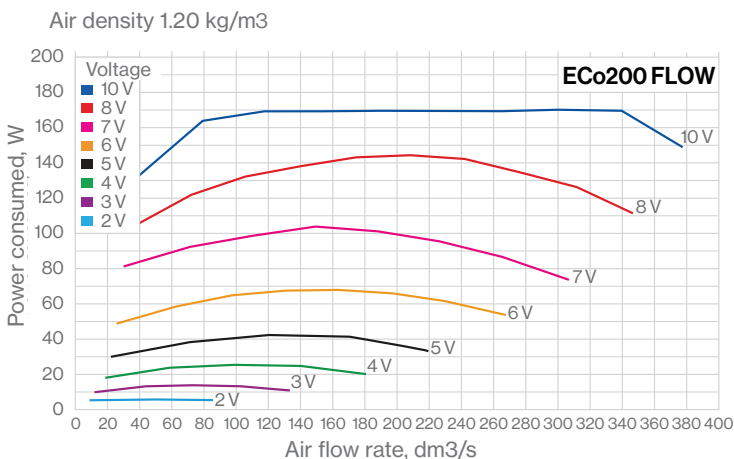
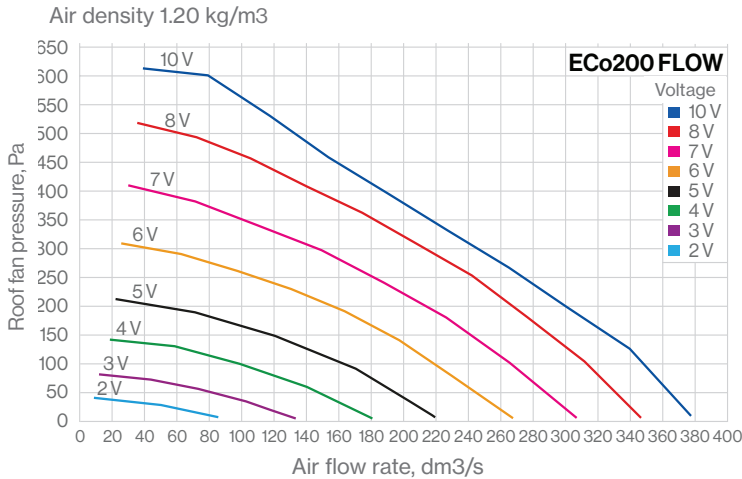
Contents: Roof fan, installation set, screws, Installation, operating and maintenance instructions.

- Black 350312
- Grey 350317
- Red 350318
- Brick red 350319



ELECTRICAL DETAILS

Fan type	ECo200 FLOW
Power Input	170 W
Current	1.40 A
Nominal Voltage	230 V / 50 Hz
Speed	2510 r/min
Speed Controller	0-10V



U	V	2	3	4	5	6	7	8	10
qv	dm ³ /s	50.4	73.4	98.5	119	164	189	208	227
pF	Pa	26.3	57.2	100	149	188	243	310	333
Pe	W	6.3	12.8	25.2	42.1	69.1	103	144	170
N	1/min	650	946	1252	1518	1812	2068	2313	2513

Duct

Duct	dB	*	*	60.8	65.3	69.8	70.6	72.8	73.1
LW63	dB	*	*	60.8	65.3	69.8	70.6	72.8	73.1
LW125	dB	49.2	58.0	64.1	66.4	68.1	70.8	73.1	74.7
LW250	dB	44.3	52.4	57.8	63.3	68.4	70.7	73.1	73.4
LW500	dB	39.6	46.5	52.1	56.8	60.7	63.8	66.3	67.8
LW1000	dB	39.3	43.9	47.9	52.6	56.4	59.8	62.0	63.2
LW2000	dB	*	37.5	47.6	51.9	56.2	58.7	61.1	62.3
LW4000	dB	*	*	37.2	44.1	51.3	55.8	59.1	61.3
LW8000	dB	*	*	*	34.9	42.4	47.7	51.5	53.4
LW	dB	*	61.0	66.7	70.3	74.0	76.0	78.3	79.2
LWA	dB(A)	42.5	49.4	55.5	60.0	64.2	67.2	69.8	71.0

Environment

LW63	dB	*	44.0	48.8	52.9	56.1	58.6	60.3	61.6
LW125	dB	38.8	47.8	56.3	57.0	57.0	59.5	62.2	63.6
LW250	dB	39.3	47.8	54.2	59.6	63.9	67.6	70.4	70.7
LW500	dB	38.1	48.0	52.3	58.3	61.5	64.0	67.1	68.2
LW1000	dB	40.9	46.0	51.0	55.2	59.0	62.6	65.3	66.8
LW2000	dB	28.8	43.9	52.5	56.7	60.7	63.6	66.1	67.3
LW4000	dB	*	*	37.7	45.0	52.1	56.6	60.2	62.4
LW8000	dB	*	*	32.0	41.7	50.8	56.4	60.4	62.3
LW	dB	46.6	54.4	61.0	64.9	68.5	71.7	74.5	75.6
LWA	dB(A)	42.3	50.8	57.1	61.8	65.7	69.0	71.8	73.2

VILPE® ECo110 Roof fans

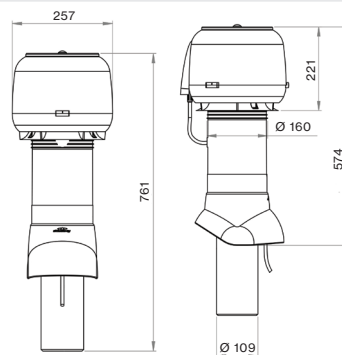
Colour Product No.

VILPE® ECO110P/Ø110/500 ROOF FAN

Description: Energy efficient roof fan with a DC motor for radon ventilation. Also suitable for ventilating an ecological toilet. The motor is specially protected and preadjusted to 3V. If necessary, can be adjusted with the potentiometer situated in the cowl of the roof fan. Separate controller is not needed. A VILPE® pass-through according to the roofing material is required separately.

Contents: Roof fan, screws, installation, operating and maintenance instructions.

- Black 737352
- Grey 737357
- Red 737358
- Brick red 737359

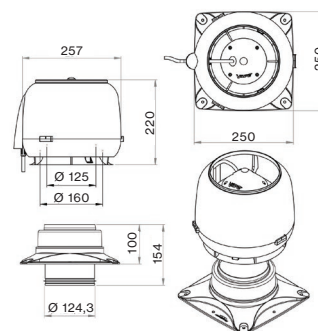


VILPE® ECO110S/Ø110 ROOF FAN + INSTALLATION SET

Description: Energy efficient roof fan with a DC motor for radon ventilation. Also suitable for ventilating a garage or an ecological toilet. Compatible for VILPE® 110 mm insulated pipe or other pipe with external dimensions Ø 160 mm. The motor is specially protected and preadjusted to 3V. If necessary, can be adjusted in a potentiometer situated in the cowl of the roof fan. Separate controller is not needed. An installation set for a flat surface is included.

Contents: Roof fan, installation set, screws, Installation, operating and maintenance instructions.

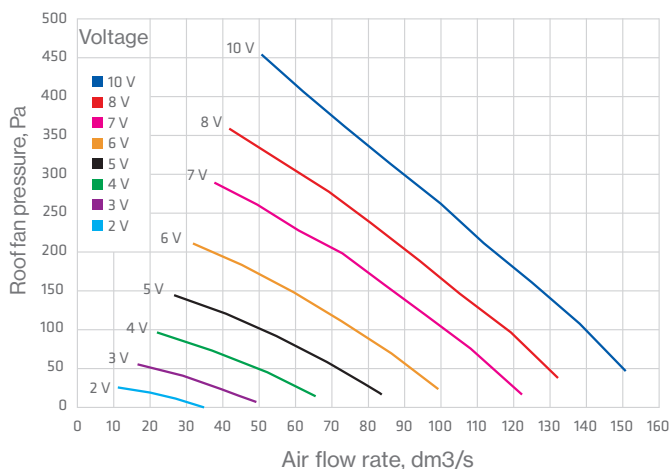
- Black 737532
- Grey 737537
- Red 737538
- Brick red 737539
- Light grey 737531



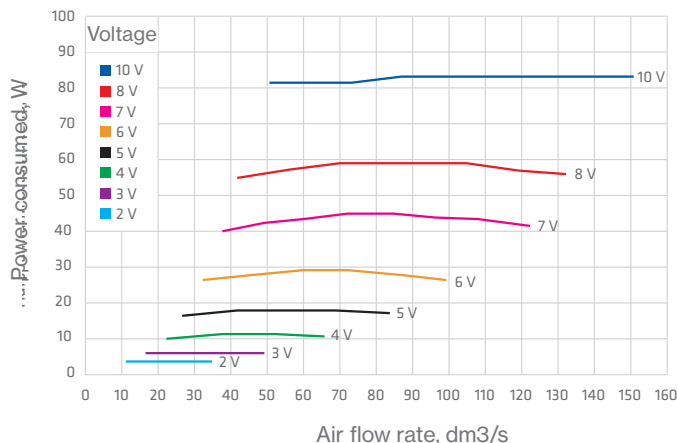
ELECTRICAL DETAILS

Fan type	ECo110
Power Input	83 W
Current	0.75 A
Nominal Voltage	230 V / 50 Hz
Speed	3200 r/min
Speed Controller	Potentiometer in the cowl of the roof fan

Air density 1.20 kg/m³



Air density 1.20 kg/m³



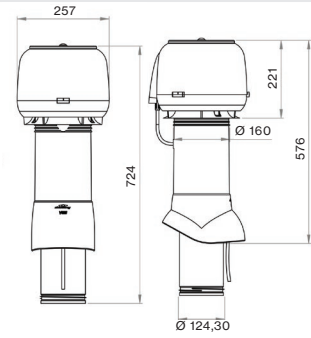
VILPE® E120 Roof fans

VILPE® E120P/Ø125/500 ROOF FAN

Description: Insulated roof fan with an AC motor. Inner pipe is made of galva-nized steel and has a lip seal. A VILPE®pass-through according to the roofing material is required separately.

Contents: Roof fan, screws, installation, operating and maintenance instructions.

Colour	Product No.
Black	73492
Grey	73497
Red	73498
Brick red	73499
Light grey	73491

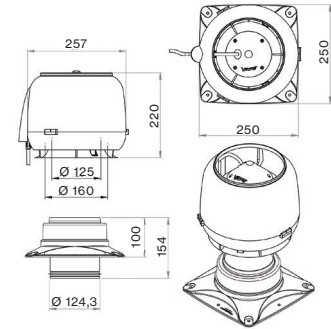


VILPE® E120S/Ø125 ROOF FAN + INSTALLATION SET

Description: Roof fan with an AC motor. Installed on the top of an air conduit or silencer. An installation set for a flat surface is included.

Contents: Roof fan, installation set, screws, Installation, operating and maintenance instructions.

Colour	Product No.
Black	737202
Grey	737207
Red	737208
Brick red	737209
Light grey	737201

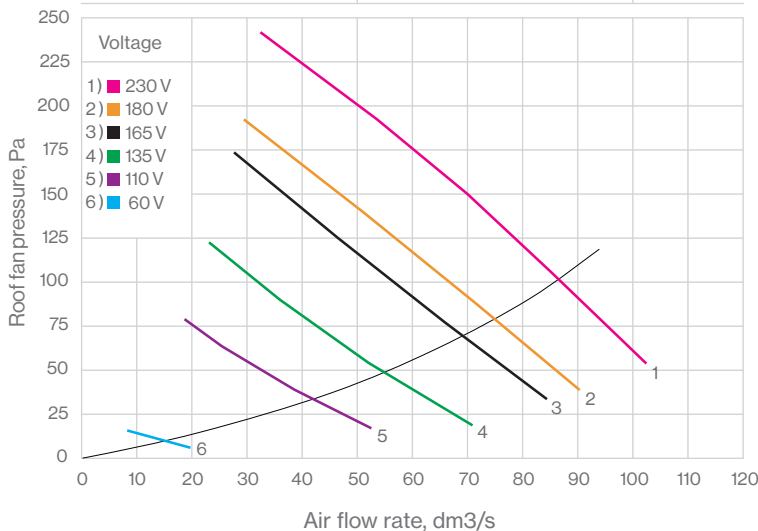


ELECTRICAL DETAILS

Fan type	E120
Power Input	52 W
Current	0.23 A
Nominal Voltage	230 V / 50 Hz
Speed	2350 r/min
Capacitor	1.5 µF
Speed Controller	0-10 V

E120P / 125		60 V	110 V	135 V	165 V	180 V	230 V
q V1	l/s	8.5	38.8	52.0	65.7	71.6	85.2
p tF	Pa	16	38	53	75	85	104
PE	W	9	27.0	37.7	51.0	57.3	82.7
ηtE	-	0.015	0.054	0.073	0.097	0.106	0.107
n	1/min	643	1237	1552	1901	2044	2355
Duct							
L W63	dB	47.6	54.9	57.4	60.8	61.9	65.4
L W125	dB	53.9	67.2	71.2	73.1	73.4	76.0
L W250	dB	52.0	64.4	70.3	72.9	73.2	75.0
L W500	dB	38.6	52.8	57.6	61.5	62.8	67.2
L W1000	dB	32.6	52.4	56.3	60.9	62.2	66.9
L W2000	dB	15.3	45.3	53.6	58.3	59.6	62.3
L W4000	dB	*	28.2	37.1	46.5	49.4	55.7
L W8000	dB	*	*	21.1	31.8	34.7	40.5
L W	dB	56.7	69.4	74.1	76.5	76.9	79.4
L WA	dB (A)	44.8	59.0	64.0	67.4	68.3	71.7

Air density 1.20 kg/m³



VILPE® E190 Roof fans

Colour

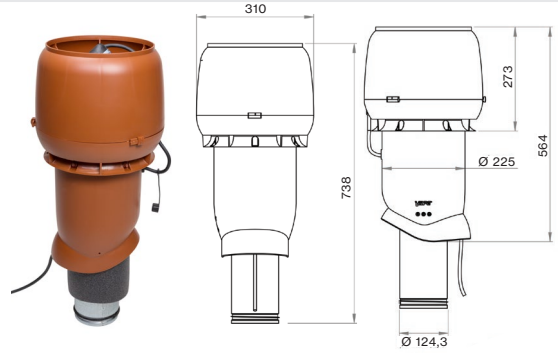
Product No.

VILPE® E190P/Ø125/500 ROOF FAN

Description: Insulated roof fan with an AC motor. The pipe has a 50-mm built-in silencer. Inner pipe is made of perforated, galvanized steel and has a lip seal. A VILPE® pass-through according to the roofing material is required separately.

Contents: Roof fan, screws, installation, operating and maintenance instructions.

Black	73592
Grey	73597
Red	73598
Brick red	73599
Light grey	

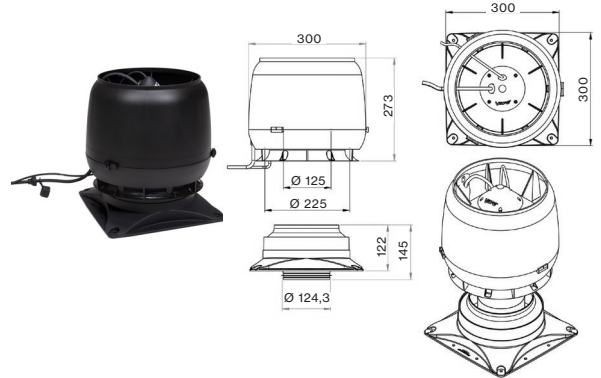


VILPE® E190S/Ø125 ROOF FAN + INSTALLATION SET

Description: Roof fan with an AC motor. Installed on the top of an air conduit or silencer. An installation set for a flat surface is included.

Contents: Roof fan, installation set, screws, Installation, operating and maintenance instructions.

Black	737522
Grey	737527
Red	737528
Brick red	737529
Light grey	737521

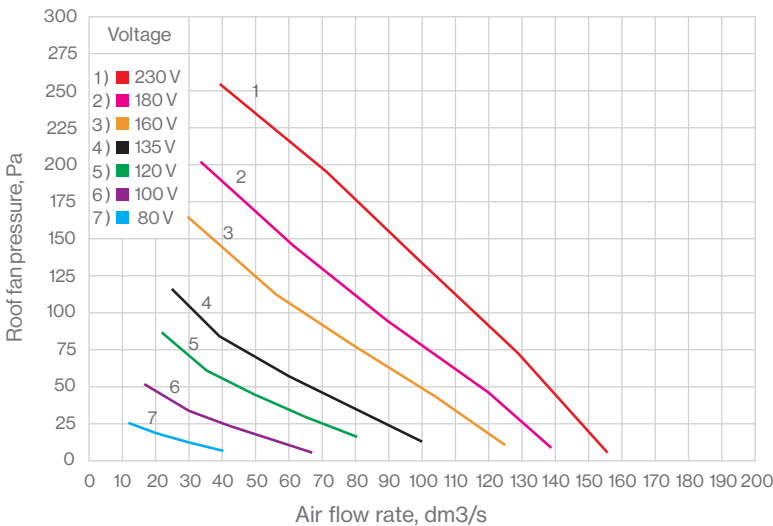


ELECTRICAL DETAILS

Fan type	E190
Power Input	52 W
Current	0,23 A
Nominal Voltage	230 V / 50 Hz
Speed	2350 r/min
Capacitor	1.5 µF
Speed Controller	Thyristor or transformer

E190P / 125		60 V	110 V	135 V	165 V	180 V	230 V
qV1	l/s ³	21.6	35.4	52.1	59.9	64.7	79.5
ptF	Pa	7	55	73	121	137	174
PE	W	8.0	25.0	35.7	49.0	54.7	80.0
ηtE	-	0.019	0.077	0.107	0.148	0.162	0.173
n	1/min	532	1226	1510	1874	2002	2322
Duct							
LW63	dB	43.4	52.7	56.1	59.2	60.1	63.3
LW125	dB	52.6	69.5	75.0	76.9	76.8	78.3
LW250	dB	42.6	61.0	68.2	73.1	73.6	75.4
LW500	dB	0.0	47.7	53.9	58.3	60.0	64.4
LW1000	dB	18.8	46.2	52.1	59.2	61.1	63.4
LW2000	dB	*	36.4	44.4	49.6	50.7	54.4
LW4000	dB	*	26.0	34.1	42.2	43.5	47.5
LW8000	dB	*	*	19.4	31.3	34.0	38.9
LW	dB	53.5	70.2	75.9	78.6	78.7	80.4
LWA	dB (A)	39.4	57.6	63.7	67.3	68.1	70.4

Air density 1.20 kg/m³



VILPE® E220 XL Roof fans

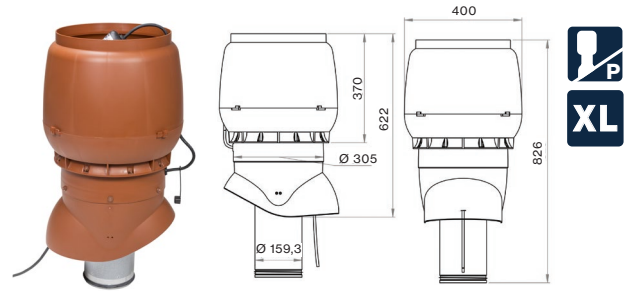
Colour Product No.

VILPE® E220P/160/500 XL ROOF FAN

Description: Insulated XL roof fan. Inner pipe is made of galvanized sheet metal and has a lip seal. A VILPE® XL pass-through according to the roofing material is required separately.

Contents: Roof fan, screws, Installation, operating and maintenance instructions.

Black 734502
 Grey 734507
 Red 734508
 Brick red 734509

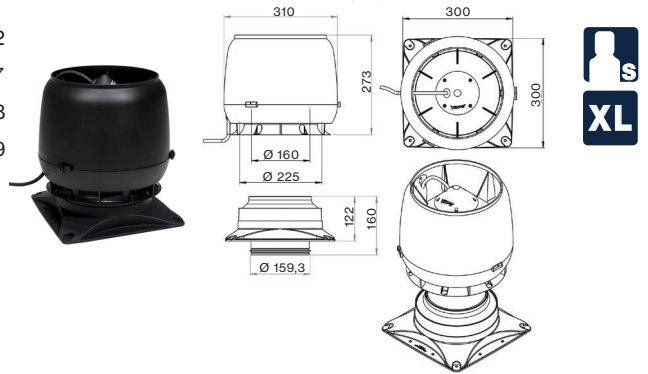


VILPE® E220S/Ø160 ROOF FAN + INSTALLATION SET

Description: Roof fan with an AC motor. Installed on the top of an air conduit or silencer. An installation set for a flat surface is included.

Contents: Roof fan, installation set, screws, Installation, operating and maintenance instructions.

Black 737502
 Grey 737507
 Red 737508
 Brick red 737509
 Light grey 737501

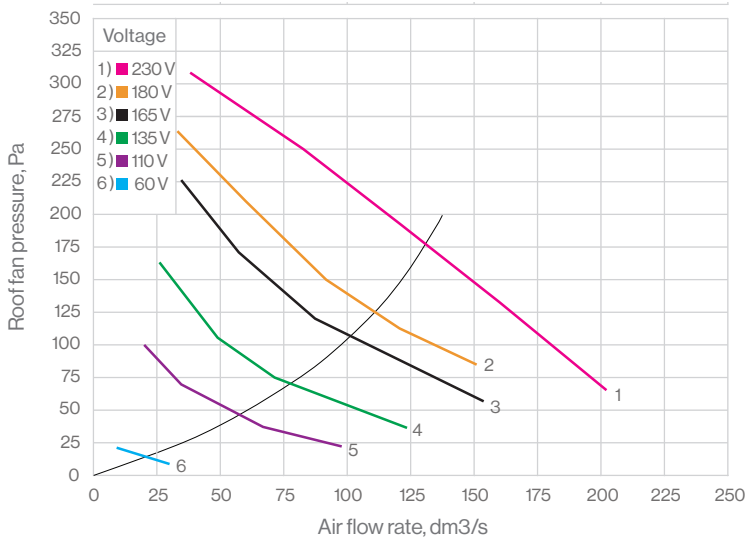


ELECTRICAL DETAILS

Fan type	E220
Power Input	85 W
Current	0.39 A
Nominal Voltage	230 V / 50 Hz
Speed	2100 r/min
Capacitor	2 µF
Speed Controller	Thyristor or transformer

E220P / 160		60 V	110 V	135 V	165 V	180 V	230 V
q V1	dm³/s	30.4	67.8	72.7	88.5	121.6	160.6
p tF	Pa	9	37	74	118	110	130
PE	W	10.0	30.0	43.0	60.7	69.0	99.0
η tE	-	0.028	0.083	0.125	0.172	0.194	0.211
n	1/min	518	1077	1386	1727	1892	2266
Duct							
L W63	dB	45.6	52.9	61.7	64.6	60.1	62.2
L W125	dB	50.0	66.0	71.5	76.3	72.2	74.3
L W250	dB	42.8	59.4	64.8	70.4	67.9	70.5
L W500	dB	26.2	48.5	52.7	58.1	61.1	65.0
L W1000	dB	35.0	49.6	53.5	57.8	60.7	64.6
L W2000	dB	21.0	40.4	47.0	52.5	56.2	60.8
L W4000	dB	*	30.4	39.1	45.9	49.0	56.6
L W8000	dB	*	*	24.8	34.0	38.0	44.3
L W	dB	52.0	67.2	72.8	77.7	74.3	76.8
L WA	dB (A)	39.6	56.0	61.2	66.4	66.1	69.7

Air density 1.20 kg/m³



ECO110 FLOW, ECO125 FLOW, ECO160 FLOW, ECO200 FLOW

VILPE®ECO MONITOR DRIVE CONTROLLER

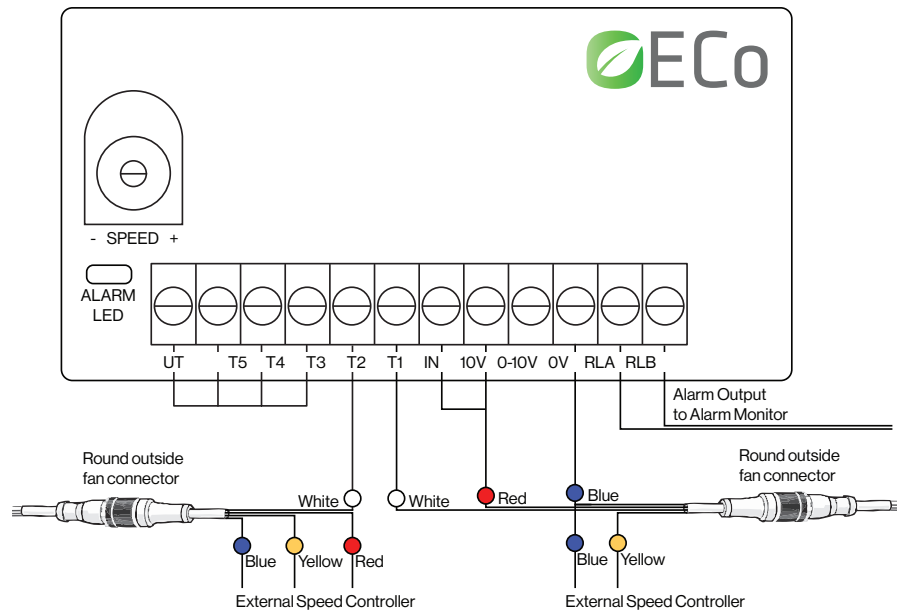
Description: For monitoring and control of VILPE® ECo roof fans. Can monitor rotation speed signals from 1 - 5 fans. Isolated alarm output and a faulty fan LED. Optional 0 - 10 V input for speed control, adjustable by an internal trimmer from 0 - 100 %. 10 V 1 mA operating voltage that can be provided from the fan (Patent 2431303).
Contents: ECo Monitor, instructions.

Product No. 735029

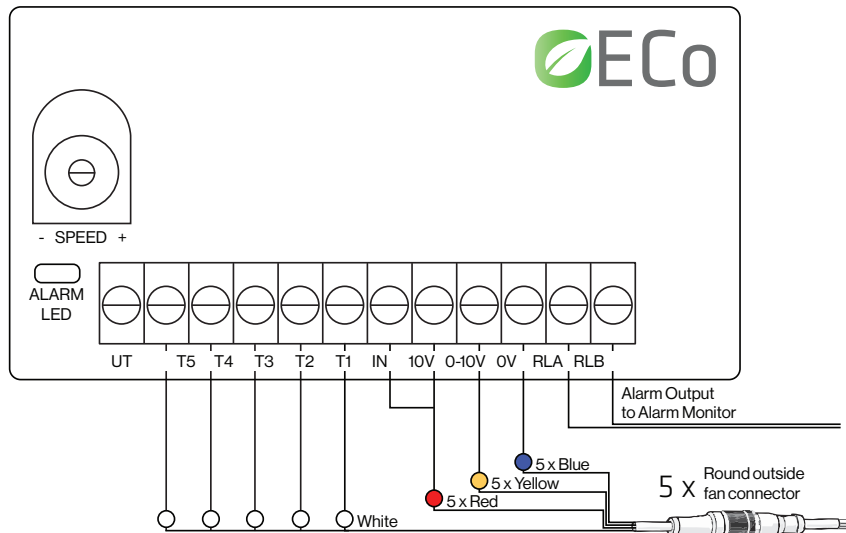


PROPERTIES	
Supply Voltage	10 V + 10 % DC
Supply Current	Up to 1 mA
Isolated Alarm Output rating	Contacts 100 mA, 60 V, 100 mW Max
Tachometer Inputs	Open Collector fan Tachometer (1 - 5)
External Control Input	0 - 10 V, 100 kOhm load
Control Output	Fan speed control signal, 0 - 10 V, 2 kHz PWM
Operating Environment	-20 °C to +60 °C, 90% RH at 40 °C max

Example wiring:
 2 fan monitor,
 no on-board speed control



Example wiring:
 5 fan monitor,
 on-board speed control



Controllers

E120, E190, E220

VILPE® CONTROLLER 2299 UCJ

Description: For adjusting the rotation speed of a roof fan. Flush mounting. IP 20.
Contents: Controller.

Product No. 735024



VILPE® CONTROLLER 2299 AG

Description: For adjusting the rotation speed of a roof fan. Surface mounting. IP 44. Contents: Controller.

Product No. 735022

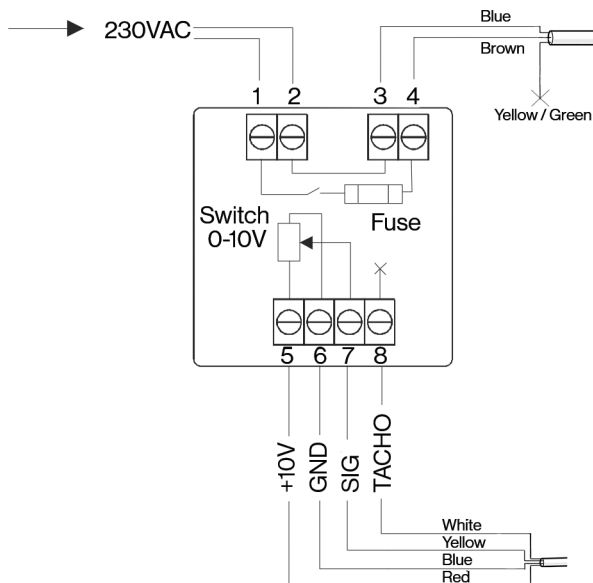


ECO110 FLOW, ECO125 FLOW, ECO160 FLOW, ECO200 FLOW

VILPE® ECO CONTROLLER 0-10V

Description: Stepless ECo Controller for manual control of the rotation speed of the motors of VILPE® ECo roof fans. The controller provides the 0-10 V output signal and the minimum is adjustable. The splash proof ECo Controller is suited for both flush and surface mounting.
Contents: Controller.

Product No. 735028



PROPERTIES

Voltage:	230V AC
Control voltage:	0 - 10 V
Minimum voltage adjustable by internal trimmer:	0 - 1,6V DC
Protection level:	IP40/54
Mounting:	Surface and flush
Operation temperature:	0...40 °C
Splash resistant casing	
Internal 6.3 A fuse for the 230 V input of the roof fan	

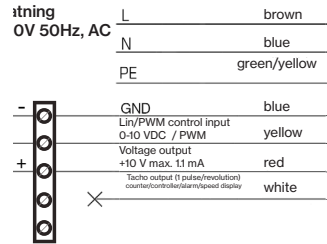


ECO110 FLOW, ECO125 FLOW, ECO160 FLOW, ECO200 FLOW

VILPE® ECO POTENTIOMETER

Usage: Potentiometer for stepless steering of EC roof fan speed. Voltage signal 0-10 V from the potentiometer. Installation on surface. IP65
Contents: Controller, instructions.

Product No. 735038

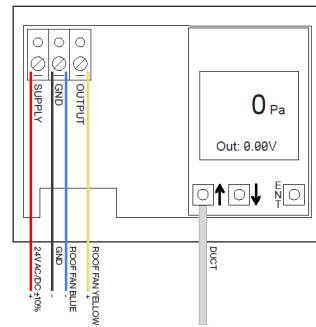


VILPE® PRESSURE CONTROLLER 24 V

Description: Measures the pressure in the ventilation duct and keeps the pressure constant by adjusting the roof fan. Compatible with EC fans. Wall mounted. IP54. Dimensions: 78 x 90 x 40 mm.
Contents: Pressure controller, installation instructions, hose, 2 measuring gauges.

CONTROLLER
 Product No. 735036

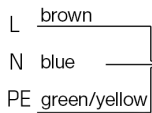
POWER SUPPLY
 Product No. 735037



Wiring diagrams for roof fans

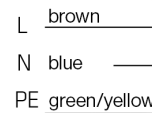
E120, E190, E220

Main supply
 230V 50Hz, AC



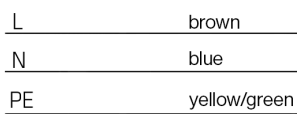
ECo110

Main supply
 230V 50Hz, AC

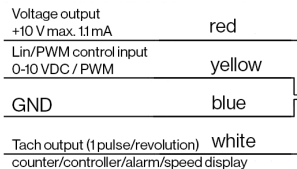


ECo110 FLOW, ECo125 FLOW, ECo160 FLOW, ECo200 FLOW

Main supply
 230V 50Hz, AC

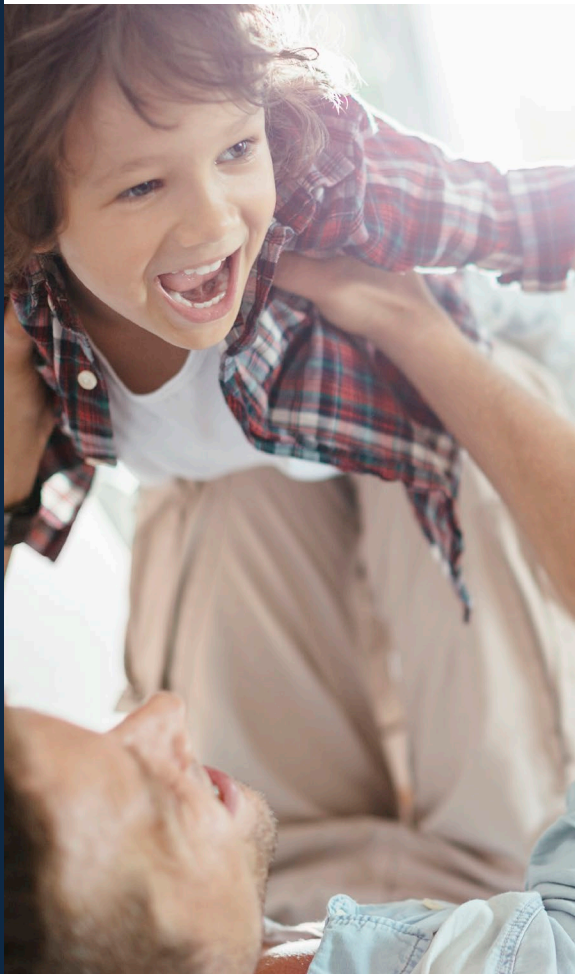


Control cable





VILPE® ECo Ideal Wireless



AUTOMATICALLY CONTROLS THE VENTILATION IN YOUR HOUSE

Whether you are renovating or building from scratch, the demand-controlled and energy saving VILPE® ECo Ideal Wireless is an excellent choice for an easy and budget-friendly implementation for your ventilation needs. ECo Ideal Wireless is well-suited for both old and new buildings and is an excellent solution for ventilation of warehouses and garages. The ventilation control system automatically adjusts ventilation to always secure excellent air quality while at the same time saving energy. The product's wireless sensors measure the relative humidity (RH) and carbon dioxide (CO2) levels in the air and automatically send this information to the control unit.

VILPE® ECo Ideal Wireless system is an ideal solution if you wish to convert an existing natural ventilation system to a mechanical ventilation system. It is also an easy and cost-efficient opportunity to turn a mechanical ventilation system into a demand-controlled ventilation system that saves you both energy and money.

The VILPE® ECo Ideal Wireless ventilation solution comprises the ECo Ideal Wireless control unit and RH Sensor and, if necessary, a CO2 Sensor. The VILPE® ECo Ideal Wireless system is used together with VILPE® ECo roof fan (and a potential VILPE® roof pass-through).

DEMAND-CONTROLLED VENTILATION

- Automatically adjusted
- Wireless sensors and user panel
- Payback period 5 years
- Saves electricity*
- VILPE® guarantees

USAGE

- For builders and renovators
- Ventilation of humid spaces
- Ventilation of the garage
- Improving the efficiency of existing ventilation systems

*Example: Ventilation of a 120 m² house with VILPE® ECo roof fan + ECo Ideal Wireless vs. ventilation with AC roof fan results in energy savings of 2600 kWh/y.

Controllers

Product No.

VILPE® ECO IDEAL WIRELESS VENTILATION CONTROL

Description: Wireless control system for demand controlled ventilation. Can be used to control VILPE® ECo roof fans, Includes a control unit (CU) wireless user panel (UP) and a wireless relative humidity (RH) sensor. Carbon dioxide sensors (CO2) sold separately.

Contents: User Panel (UP), Control Unit (CU), Relative Humidity Sensor (RH), installation instructions.

735030



VILPE® ECO IDEAL WIRELESS RH SENSOR

Description: A Relative humidity sensor for the VILPE® ECo Ideal Wireless demand controlled ventilation system.

Contents: Relative humidity (RH) sensor, installation instructions

735031



VILPE® ECO IDEAL WIRELESS CO2 SENSOR

Description: A Carbon dioxide sensor for the VILPE® ECo Ideal Wireless demand controlled ventilation system.

Contents: Carbon dioxide (CO2) sensor, installation instructions.

735032



VILPE® ECO IDEAL WIRELESS CU CONTROL UNIT

Description: A Control unit for the VILPE® ECo Ideal Wireless demand controlled ventilation system.

Contents: Control unit (CU), installation instructions.

735033



VILPE® ECO IDEAL WIRELESS UP USER PANEL

Description: A User panel for the VILPE® ECo Ideal Wireless demand controlled ventilation system.

Contents: User panel (UP), installation instructions.

735034



A smart system for humidity control

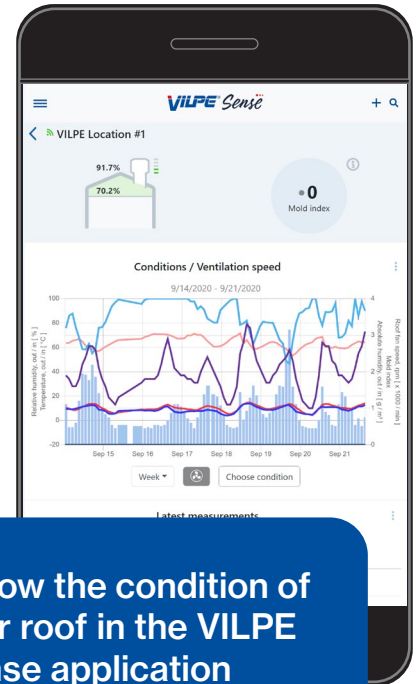


AUTOMATIC ALERT OF POTENTIAL LEAKS
 AUTOMATIC DEMAND-BASED DRYING OF THE INSULATION LAYER

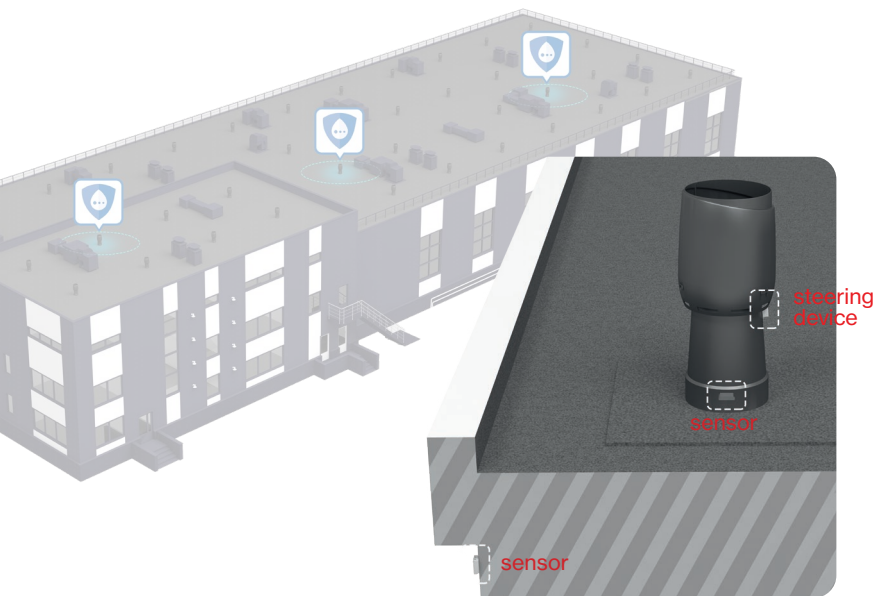


The VILPE Sense system is based upon the latest IoT-technology and combines two functions - humidity monitoring and humidity damage prevention. The system will find and alert you to even the smallest hard-to-find leaks, so that these can be fixed before they grow into bigger and more expensive problems. The VILPE Sense system also dries the insulation layer when necessary: for instance, after rain or during humid autumns that can cause humidity damages even though there are no leakages in the roof.

The VILPE Sense basic kit consists of two sensors and a control unit which are linked to an energy-efficient ECo Roof fan. One sensor monitors the temperature and relative humidity in the insulation layer, whilst the other measures that of the outdoor air. The system can be installed under pressure ventilation pipes so that the structures remain intact. The data is sent to the control unit and ends up on the VILPE cloud service, where it is analysed. If the system detects excess humidity in the insulation layer, the roof fan is automatically activated to work at a higher speed until the structure is dry.



Follow the condition of your roof in the VILPE Sense application



Through the VILPE Sense application, the condition of your building can be checked at any time, and the system will automatically alert you in cases of potential leakage. This data can also be safely exported to any complete home automation system.

> [VILPE.COM/EN/SENSE](https://vilpe.com/en/sense)

VILPE® SENSE

Description: Consists of two sensors and a control unit which are linked to an ECo Roof fan. This smart system detects and alerts you to potential leakages and other humidity problems, for instance on the roof or underfloor. The system also dries the insulation layer when necessary. Through the VILPE Sense application, you can check the condition of one or several buildings at any time.

Contents: Steering device, two sensors.

Model	Product No.
-------	-------------

Basic kit	735040
Sensor	735041





Guaranteed excellent quality

The VILPE products create better indoor air, improve energy efficiency and prolong the lifetime of buildings. The products are manufactured by a Finnish family business VILPE which is the leading manufacturer and developer of ventilation and special roofing products in Finland, Baltics, Russia and Scandinavia.

The products are of excellent quality and are durable, which is why we offer a 20-year warranty of technical parts and 10-year colour warranty. The management system of VILPE Oy has been granted both the ISO 9001:2015 quality certificate the ISO 14001:2015 environmental certificate. These certificates cover product development, manufacturing and sales of VILPE products.

Responsibility for environment and people

We at VILPE take concrete actions to support environmentally sustainable production. The largest green energy investment in our history has been replacing oil with geothermal heat. This reduces the CO2 emissions of the factory by 330 tons annually. We also design energy efficient products. Our goal is to increase the plastics recycling possibilities during the whole lifetime of the product. Environmental sustainability is also a part of our machine investments.

Another important aspect is promoting social responsibility. Yearly, we invest 0.3 % of our turnover to support local welfare, such as, education, sports and disadvantaged children.



VILPE/03-2021

> VILPE.COM

VILPE Oy
Kauppatie 9,
FI-65610 Mustasaari

Sales and Technical Support
Tel. +358 20 123 3222
sales@vilpe.com

VILPE®
Innovative and Easy